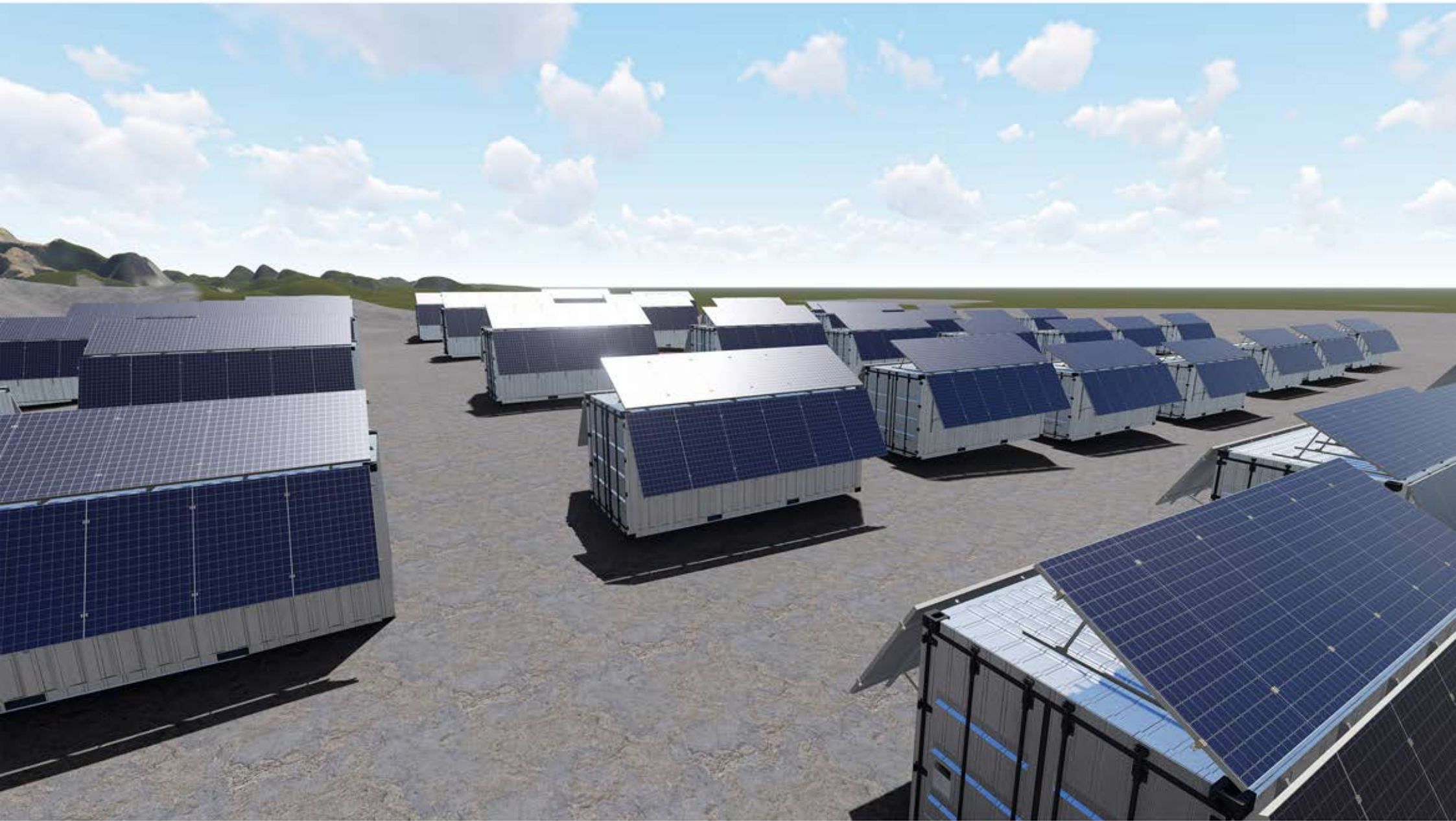
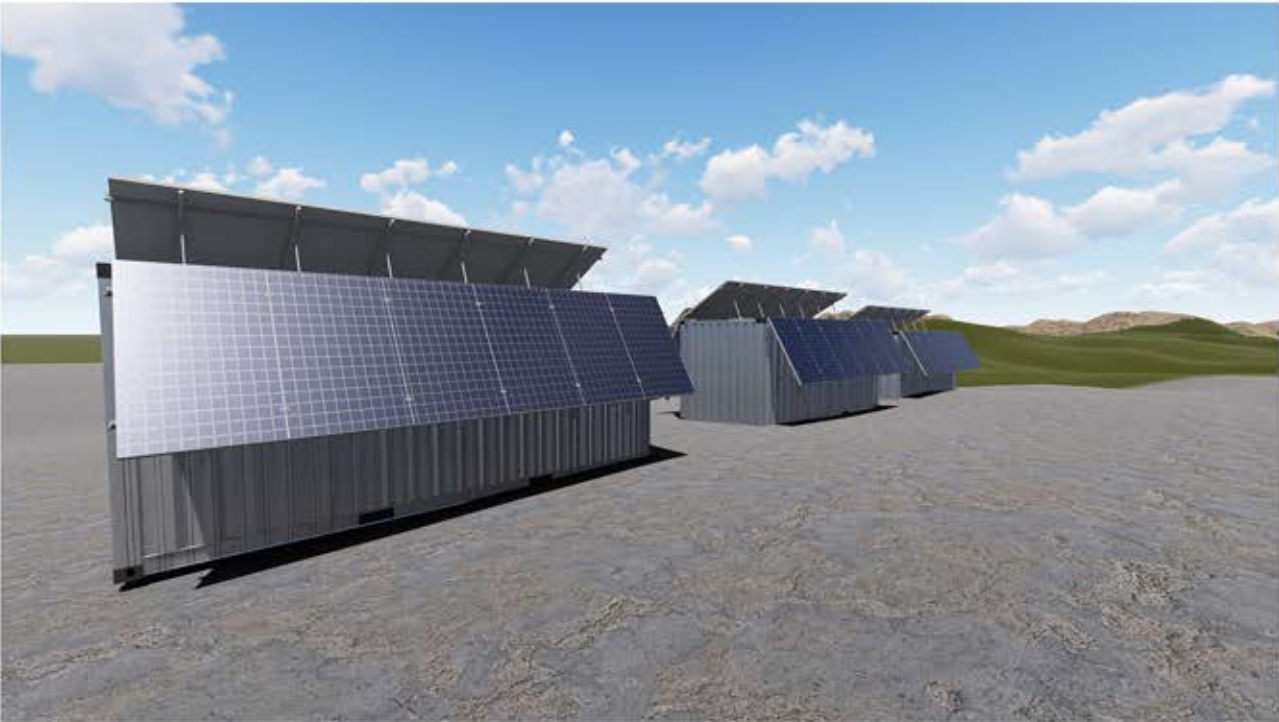


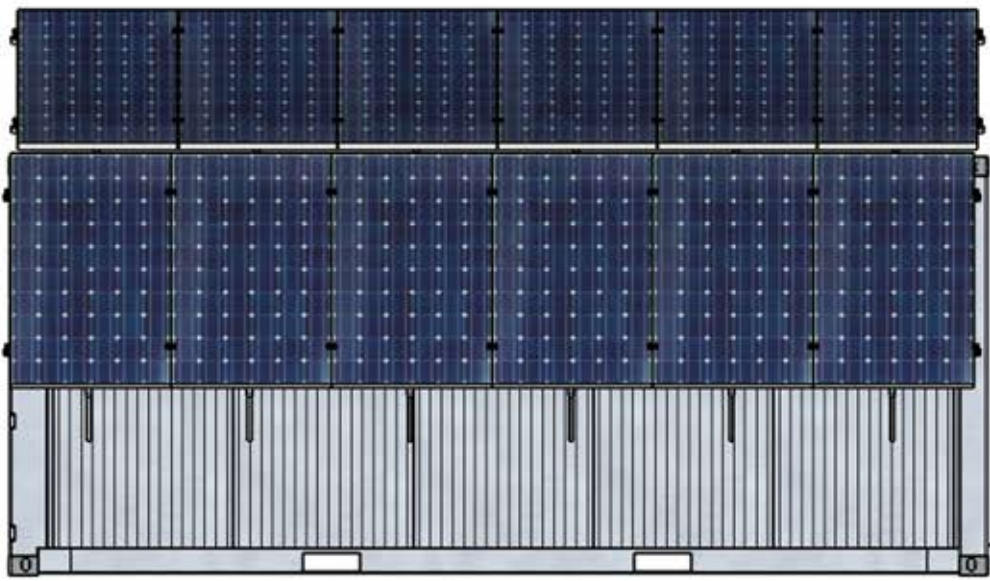
20 ft Container with Solar Panels System



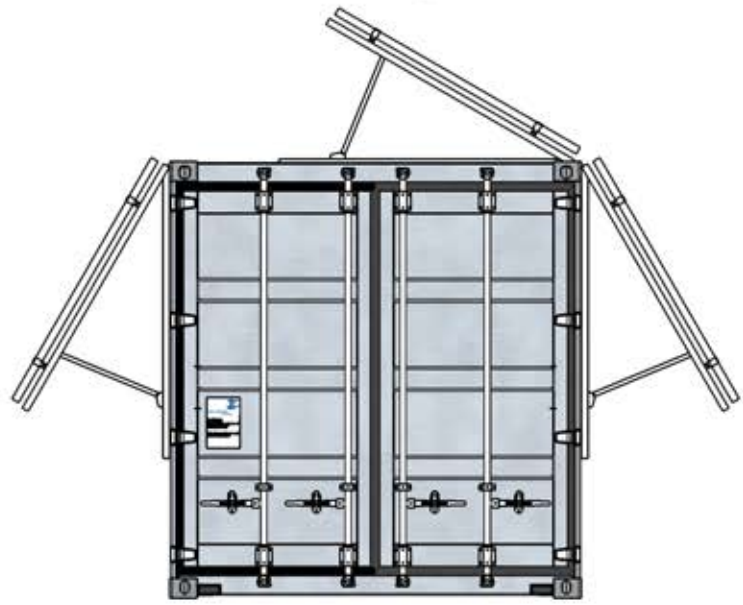
20 ft Container with Solar Panels System



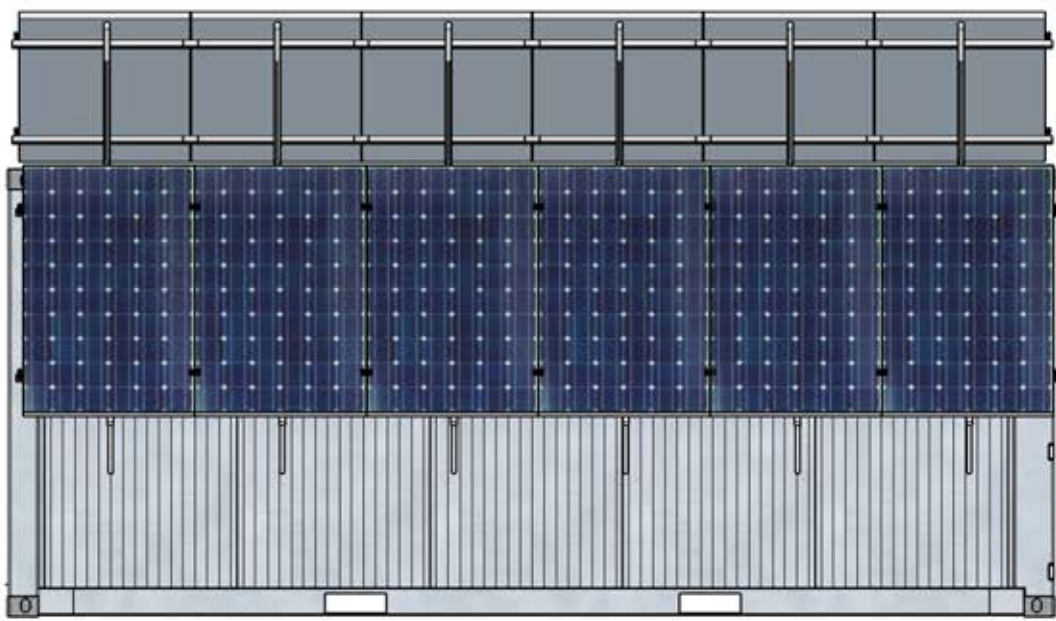
20 ft Container with Solar Panels System



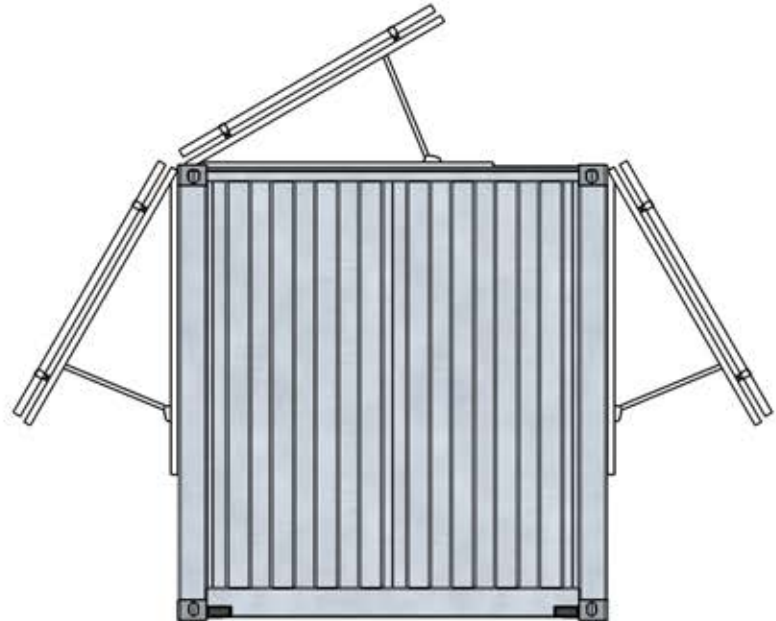
Right Side View



Front View



Left Side View



Back View

20 ft Container with Solar Panels System



3D Views Show Top and Right Sides View



3D Views Show Top and Left Sides View



Detailed View of Solar Panels System's Technique